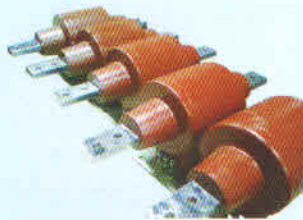


3.3kV 6.6kV 11kV WOUND TYPE RESIN CAST CURRENT TRANSFORMER



Ratio Primary 20A-400A Secondary 1A/5A Single dual triple ratio
 Burdan : 5VA to 20VA
 Cores : Metering Accuracy CL-1,0.5,0.5s,0.2,0.2s
 Protection: CL-5P10, 5P20, 10P10, 10P20
 Differential. CL-PS, Vk value
 Fault level..13.1kA,20kA,25kA for 3secs
 Routine tests..HV, Partial discharge, ratio, polarity as per IS 2705...
 Standard : As per IS and IEC



3.3kV 6.6kV 11kV BAR TYPE RESIN CAST CURRENT TRANSFORMER

Ratio Primary 500A-1000A Secondary 1A/5A Single dual triple ratio
 Burdan : 5VA to 20VA
 Cores : Metering Accuracy CL-1,0.5,0.2,
 Protection: CL-5P10, 5P20, 10P10,

3.3kV 6.6kV 11kV WINDOW TYPE RESIN CAST CURRENT TRANSFORMER

Differential. CL-PS, Vk value
 Fault level ..13.1kA,20kA,25kA, 40kA for 3secs
 Routine tests..HV, Partial discharge, ratio, polarity as per IS 2705... Bus bar size of 50X10 or 50X8 or 60X10 or 75X10 size of AL or CU..
 Standard : As per IS and IEC



22kV 33kV WOUND TYPE and WINDOW TYPE RESIN CAST CURRENT TRANSFORMER

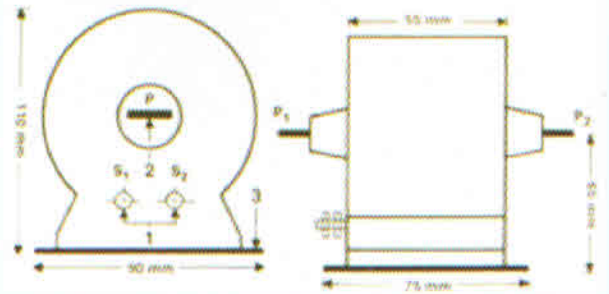
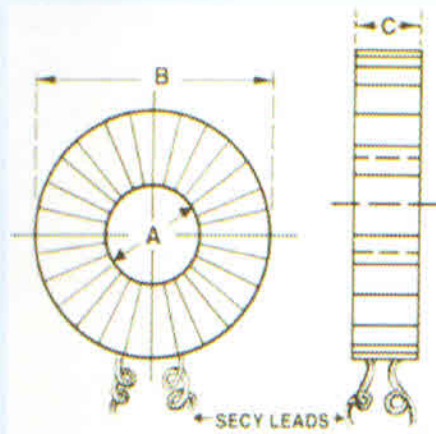
Ratio Primary 20A-400A(Wound type)
 Primary 500A-1600A(Window type) Secondary 1A/5A Single dual triple ratio
 Burdan :5VA to 20VA Cores : Metering Accuracy CL-1,0.5,0.2,0.2s
 Protection: CL-5P10, 5P20, 10P10, 10P20
 Differential. CL-PS, Vk value Fault level ..13.1kA,20kA,25kA, for 3secs
 Routine tests..HV, Partial discharge, ratio, polarity as per IS 2705... Bus bar size of 50X10 or 50X8 or 60X10 or 75X10 size of AL or CU..(Window type only)
 Standard : As per IS and IEC

RING TYPE RESIN CAST CURRENT TRANSFORMER



Ratio Primary 50A-4000A Secondary 1A/5A
 Single dual triple ratio Burdan : 5VA to 20VA
 Cores : Metering Accuracy CL-1,0.5,0.5s,0.2,0.2s
 Protection: CL-5P10, 5P20,
 Differential. CL-PS, Vk value
 Fault level ..13.1kA,20kA,25kA for 3secs
 Routine tests..HV, Partial discharge, ratio, polarity as per IS 2705...
 Standard : As per IS and IEC

Instrumental Transformers Designed For Safety And Excellence



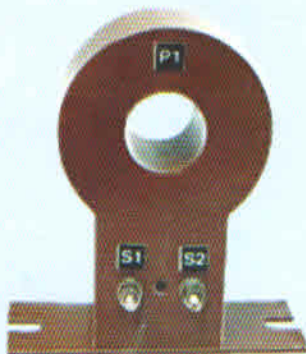
LT bar Primary Tape Insulated Current Transformer

RATIO	Rated VA burden	Accuracy class
5/1A TO 200/5A	15	1.0
5/5A TO 200/5A	15	0.5
5/1A TO 200/1A	15	1.0
5/1A TO 200/1A	15	0.5
250/5A & 300/5A	15	1.0
250/5A & 300/5A	15	0.5
250/1A & 300/5A	15	1.0
250/1A & 300/5A	15	0.5



Standard Dimension for Tape Wound C.Ts.

RATIO	Approximate Overall Dimensions in mm			Rated Burden VA	Accuracy Class
	A	B	C		
50/5A	30	85	50	5	5.0
50/5A	30	85	50	5	5.0
75/5A	30	85	50	5	5.0
100/5A	35	86	50	5	1.0
150/5A	35	85	50	5	1.0
200/5A	50	110	40	10	1.0
250/5A	50	100	45	10	1.0
300/5A	50	100	35	10	1.0
400/5A	60	105	35	15	1.0
500/5A	60	105	35	15	1.0
600/5A	60	105	35	15	1.0
800/5A	105	140	35	15	1.0
1000/5A	105	140	35	15	1.0
1200/5A	105	140	35	15	1.0
1600/5A	115	165	35	15	1.0
1600/5A	115	165	35	15	1.0
2000/5A	116	165	35	15	1.0
2400/5A	130	190	35	15	1.0
2500/5A	130	190	35	15	1.0
3000/5A	130	190	35	15	1.0



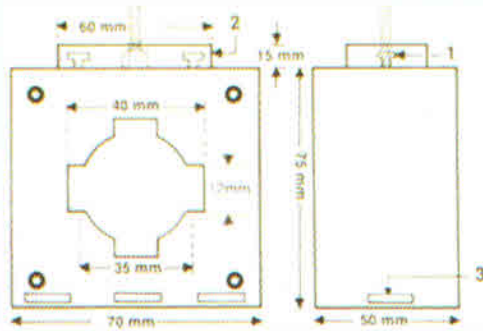
415volt LT CT epoxy resin cast

Specifications required for ordering

• Ratio • VA Burden • Accuracy Class

Tolerance for A, B, C is +/- 3mm

Instrumental Transformers Designed For Safety And Excellence



LT BAR PRIMARY CT IN MOULDED CASE

LT Bar Primary Current Transformer
in Moulded Case
415volt LT CT epoxy resin cast

Specifications required for ordering

• Ratio • VA Burden • Accuracy Class

Round conductors upto 35 mm
Flat bars upto 40 mm * 13 mm

Features:

- CT is housed in attractive & rigid ABS case(color as required)
- Easy to slip on busbars upto 40x12mm round conductors upto 35mm
- 5 types of mounting arrangement available
- Secondary Terminal sealing arrangement available (to avoid tampering)
- Type tested at ERDA, Baroda

Application:

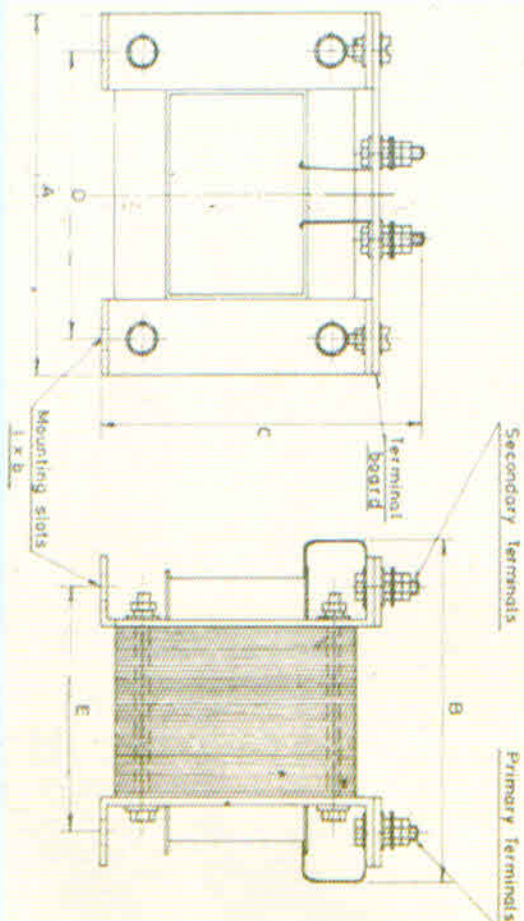
- Very useful for control panels and UPS
 - Used for revenue metering
- Widely used by Electricity boards along with energy meters

RATIO	Rated Burden VA	Accuracy Class
50/5A	2.5	3
75/5A	5	3
100/5A	5	3
100/5A	3	1
150/5A	15	3
150/5A	7.5	1
200/5A	15	1
200/5A	5	0.5
300/5A	7.5	0.5
300/5A	5	1
400/5A	15	0.5
500/5A	15	0.5
600-1000/5A	30	0.5

CONTROL TRANSFORMERS

Secondary of 1A can be offered for all the ratios

LT Single Phase, 50 Hz Air Cooled Control Transformer upto 3.5kVA



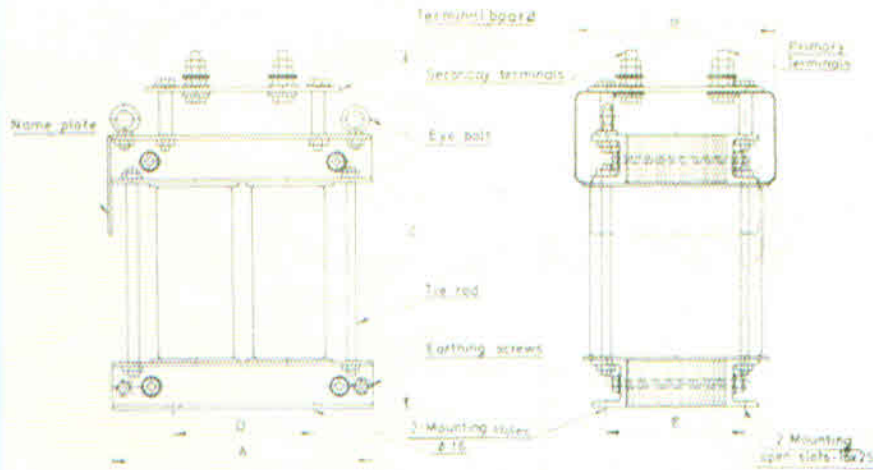
RATIO	A (mm)	B (mm)	C (mm)	D (mm)	E (mm)	Slot (IXb)	Weight (Kgs)
10 & 15	76	80	100	64	45	8X5	1.150
20 & 30	76	100	100	64	60	8X5	1.700
50 & 60	96	110	110	80	62.5	10X6	2.5
75 & 100	115	120	135	95	70	12X6	3.8
150 & 175	115	130	135	95	82.5	12X6	4.5
200 & 250	126	135	160	108	90	16X8	6.0
300 & 350	155	140	165	128	72	16X8	7
400	155	145	165	128	88	16X8	8.5
500	155	155	165	128	100	16X8	10.5
630	155	160	170	128	112.5	16X8	12
750	185	155	250	160	102	16X8	14
1000	185	155	250	160	102	16X8	15
1500	240	175	270	195	107.5	16X8	21
2000	240	185	270	195	120	16X8	29
2500	240	205	270	195	145	16X8	37
3000	235	235	270	160	145	20X10	42
3500	235	235	270	200	145	20X10	45

Note:

- Preferred Rated Primary Voltage : 110V, 240V & 415V
- Preferred Rated secondary Voltage : 24V, 48V, 110V, 240V

Tolerance: +/- 3mm

Instrumental Transformers Designed For Safety And Excellence



**3.3kV 6.6kV 11kV 22kV 33kV
VOLTAGE TRANSFORMER**

Ratio Primary ..Primary voltage / root3
 Secondary 110V/root3
 Burdan : 50VA to 200VA
 Cores : Metering Accuracy CL-1,0.5,0.2
 Protection: CL-3P 5P 10P
 Routine tests..Dv/Df, Partial discharge,
 ratio as per IS 2705...
 Standard : As per IS and IEC

LT Single Phase, 50 Hz Air Cooled Control Transformer from 4 to 50kVA

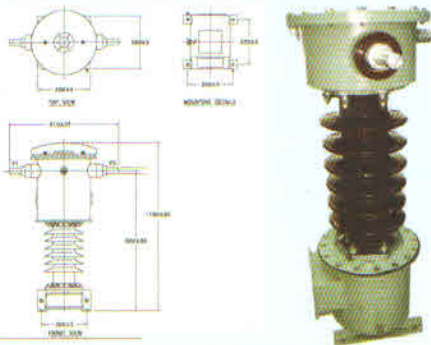
Rating in kVA	A (mm)	B (mm)	C (mm)	D (mm)	E (mm)	Approx Weight (Kgs)
4 & 5	300	240	450	200	155	65
6 & 7.5	350	260	500	250	155	82
10	400	280	550	300	160	95
15	450	300	600	380	165	120
20	500	350	650	380	165	135
25 & 30	550	375	700	450	185	160
40	600	375	700	450	195	185
50	700	400	750	500	225	210

Note:

- a) Preferred Rated Primary Voltage : 110V, 240V & 415V
 - b) Preferred Rated secondary Voltage : 24V, 48V, 110V, 240V
- Tolerance : +/- 3mm**



11kV 22kV 33kV Current and Voltage TRANSFORMER OUTDOOR OIL COOLED



Ratio Primary 20A-2000A Secondary 1A/5A
 Single dual triple ratio
 Burdan :5VA to 20VA
 Cores:Metering Accuracy CL-1,0.5,0.5s,0.2
 Protection: CL-5P10, 5P20, 10P10, 10P20
 Differential: CL-PS, Vk value
 Fault level ..13.1kA,20kA,25kA for 3secs
 Routine tests..HV, Partial discharge, ratio, polarity as per IS 2705...
 Standard : As per IS and IEC



SWITCH BUILD ENGINEERS (I) PVT. LTD.

MANUFACTURERS - HIGH VOLTAGE & LOW VOLTAGE INDUSTRIAL ELECTRICAL SWITCHGEAR & CONTROL PANEL INSTRUMENTAL TRANSFORMERS

A-80, H-Block, Near Morwadi Court, MIDC, Pimpri, Pune - 411018.
 Tel.: +91- 20-2747 79898 | 27472966 Fax : +91-202747 6064 | Mob: 8308831840
 Email : admin@switchbuild.co | Web : www.switchbuild.co